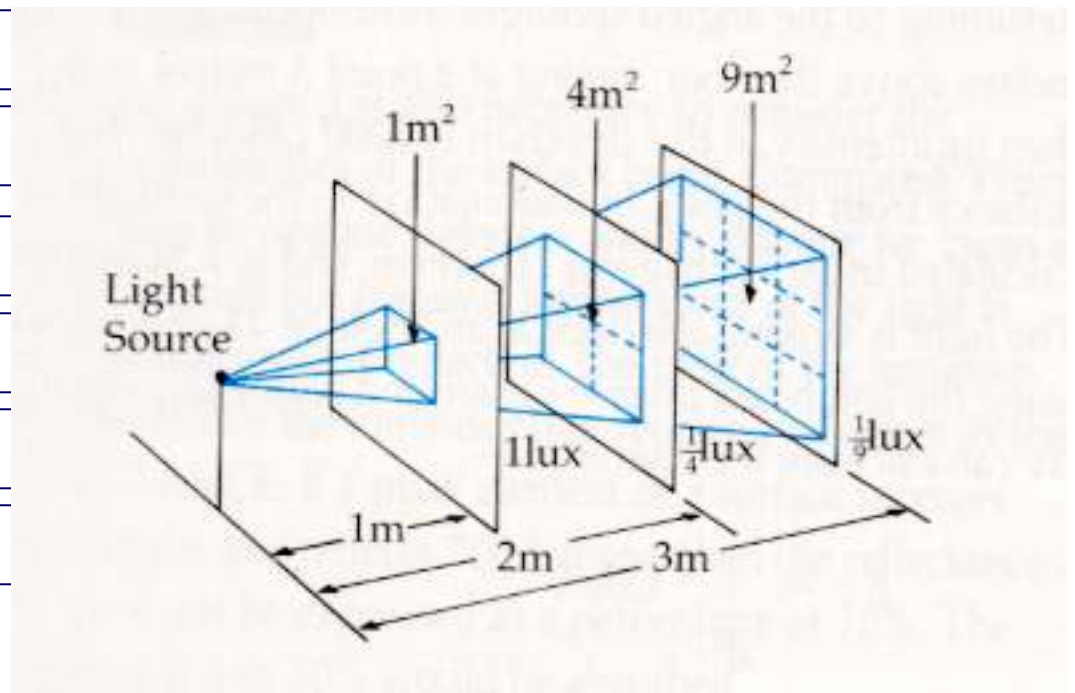


Effective Mounting Height

Lamp Wattage	Effective Mounting Height (m)
70w	$\geq 2 \sim 2.5$
150w	$\geq 3 \sim 3.5$
250w	$\geq 4.5 \sim 5.0$
400w	$\geq 6 \sim 6.5$
600w	$\geq 7.5 \sim 8.0$
1000w	≥ 8.0



Considerations are :-

- ⊙ Disability Glare - the higher the mounting height the less the disability glare
- ⊙ Uniformity - the higher the mounting height the better the Uniformity