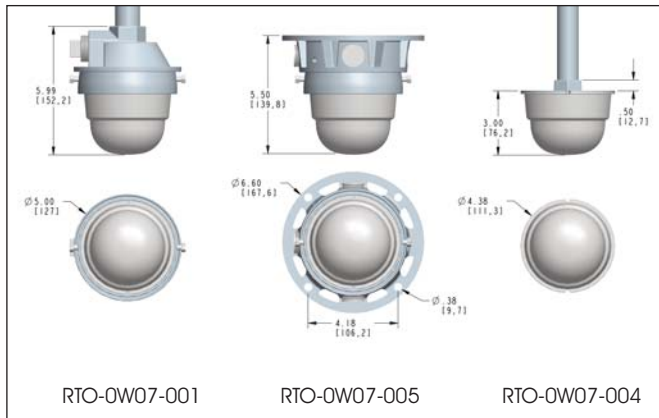




RTO SERIES WHITE LED DOWNLIGHT



Dimensions in Inches [mm]

Certifications & Ratings: (all pending)

- ▷ Certified to UL1598 / UL1598A / NEMA 4X
- ▷ Class I, Division 2, Groups A,B,C,D
Hazardous environments T4A rated
- ▷ Class II, Division 2, Groups F,G
Hazardous environments T3B rated

Features & Benefits:

- ▷ Low power consumption
- ▷ Instant on/off response
- ▷ Weather/corrosion resistant lamp assembly and housing
- ▷ Universal input (120-240 VAC), 50/60 Hz
- ▷ Resistant to shock (IEC 68-2-27) and vibration (FAA 150/5345-46C)
- ▷ 5 year warranty
- ▷ 70% lumen maintenance over 60,000 operating hours

Order Codes:

RTO Series LED White Downlight	
RTO-0W07-001	Downlight - Pendant Mount w/ Junction Box
RTO-0W07-005	Downlight - Ceiling Mount w/ Junction Box
RTO-0W07-004	Downlight only - Pendant Mount

Application:

Dialight introduces the new state of the art fixture for industrial general lighting. Its rugged solid state design creates a new era where failed lamps and expensive relamping costs become a thing of the past. The RTO series incorporates cutting edge LED technology and is the most efficient light source available for industrial lighting applications. Whether your application is in a refinery, oil platform, chemical plant or any other industrial application, this fixture offers improved performance across the board.

Mechanical Information:

Container Dimensions: 7.60" x 5.25" x 5.75"
193.04mm x 133.35 mm x 146.05mm

Container Weight: 2 lbs (0.91 kg)

Mounting:
Pendant Mount (-001) - 1" & 3/4" NPT reducer bi-directional mounting
Ceiling Mount (-005) - 3/4" NPT 5-way surface mounting
Pendant Mount (-004) - with 3/4" NPT threaded conduit

Electrical specifications:

Operating Voltage: 120-240 VAC, 50/60 Hz

Power Consumption: 9 W

Operating Temp: -40°F to +133°F (-40°C to +55°C)

Surge / Lightning Protection:
1 kV line to line
2 kV line to ground

THD: < 20 %

Power Factor: > 0.9

Material:

Body: Diecast powder coat aluminum base

Lens: UV stabilized abrasion resistant polycarbonate

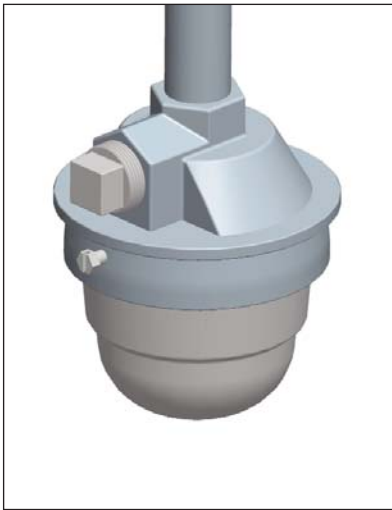
Photometric Information:

CRI (typ): 70

CCT: 4600-5600K

Initial lumens: 700 lm

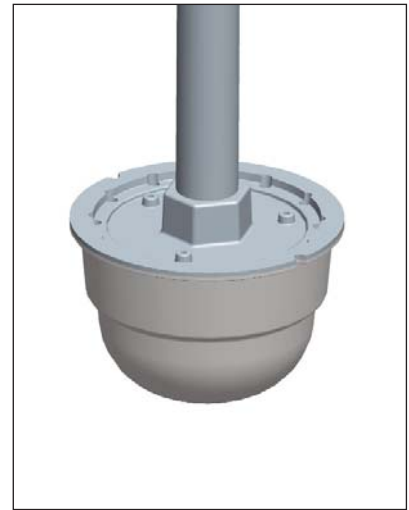
RTO Series White LED Downlight Mounting Options



Pendant Mount Configuration
RTO-0W07-001
 (w/ Junction Box)



Ceiling Mount Configuration
RTO-0W07-005
 (w/ Junction Box)



Pendant Mount Configuration
RTO-0W07-004

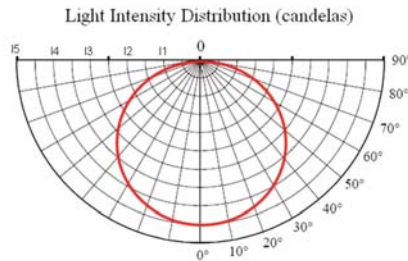
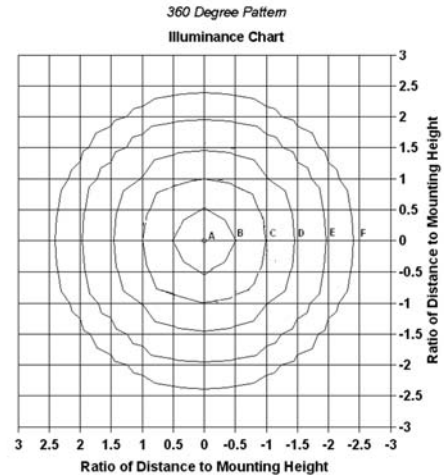
Light Measurement Data

Illuminance Values for High Light Level Conditions (Photopic Footcandles)

Mounting Height (ft)	Zones							
	A	B	C	D	E	F	G	H
2	52.80	36.80	17.60	8.00	3.20	1.60	0.00	0.00
4	13.20	9.20	4.40	2.00	0.80	0.40	0.00	0.00
6	5.87	4.09	1.96	0.89	0.36	0.18	0.00	0.00
8	3.30	2.30	1.10	0.50	0.20	0.10	0.00	0.00
10	2.11	1.47	0.70	0.32	0.13	0.06	0.00	0.00

Illuminance Values for Low Light Level Conditions (Scotopic Footcandles)

Mounting Height (ft)	Zones							
	A	B	C	D	E	F	G	H
2	120.4	83.9	40.1	18.2	7.3	3.6	0.0	0.0
4	30.1	21.0	10.0	4.6	1.8	0.9	0.0	0.0
6	13.4	9.3	4.5	2.0	0.8	0.4	0.0	0.0
8	7.5	5.2	2.5	1.1	0.5	0.2	0.0	0.0
10	4.8	3.4	1.6	0.7	0.3	0.1	0.0	0.0



Intensity Values for High Light Level Conditions (Photopic Candelas)

I0	I1	I2	I3	I4	I5
0	50	100	150	200	250

700 Total Lumens for High Light Level Conditions (Photopic)

Intensity Values for Low Light Level Conditions (Scotopic Candelas)

I0	I1	I2	I3	I4	I5
0	114	228	342	456	570

1596 Total Lumens for Low Light Level Conditions (Scotopic)

MDTFWRTOX001_A