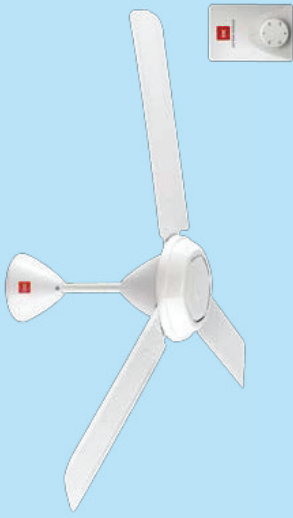
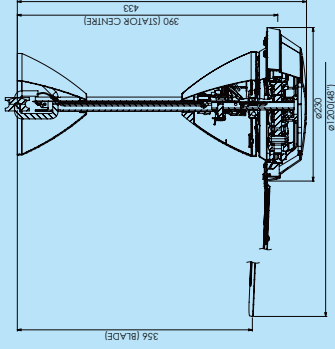


K12V0 120cm/48"

Junior Fan For Small Settings



- Hexagon decorative cover
- Energy saving condenser motor
- Meets C.O.P (Co-Efficient of Performance) requirements



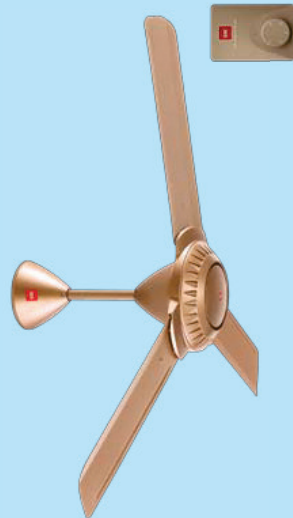
Dimension

SPECIFICATIONS

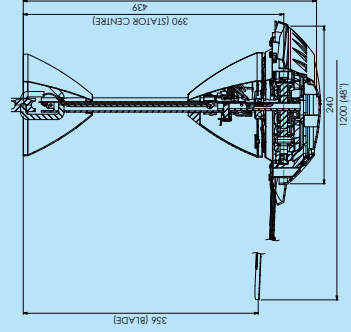
Model	RPM		Air Delivery (m ³ /min)		Motor W		Motor HP	Motor Type	Noise Level (dB)	Nett Weight (kg)
	Low	High	High	Low	Low	High				
K12V0	131 ~ 171	273 ~ 333	162	333	15.1 ~ 20.5	47.7 ~ 58.3	0.08	14 Pole Condenser	<58	4.93

K12W0 120cm/48"

Decorative Junior Fan



- Energy saving condenser motor
- Meets C.O.P (Co-Efficient of Performance) requirements



Dimension

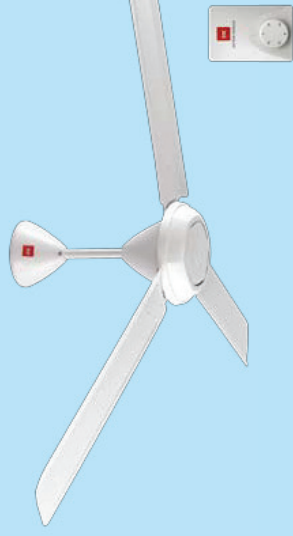
SPECIFICATIONS

Model	RPM		Air Delivery (m ³ /min)		Motor W		Motor HP	Motor Type	Noise Level (dB)	Nett Weight (kg)
	Low	High	High	Low	Low	High				
K12W0	131 ~ 171	273 ~ 333	162	333	15.1 ~ 20.5	47.7 ~ 58.3	0.08	14 Pole Condenser	<58	5.08

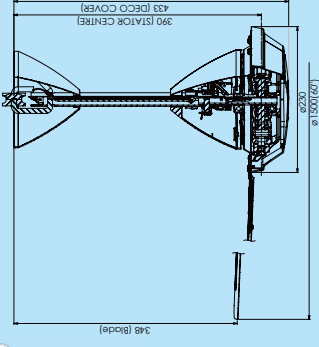
Copper Brown

K15V0 150cm/60"

Energy Saving Ceiling Fan



- Hexagon decorative cover
- Embossed logo deco cover
- Energy saving condenser motor
- Meets C.O.P (Co-Efficient of Performance) requirements



Dimension

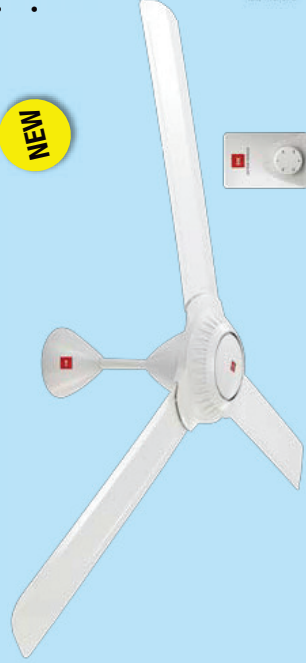
SPECIFICATIONS

Model	RPM		Air Delivery (m ³ /min)		Motor W		Motor HP	Motor Type	Noise Level (dB)	Nett Weight (kg)
	Low	High	High	Low	Low	High				
K15V0	81 ~ 118	216 ~ 284	230	284	14.7 ~ 19.9	67.5 ~ 82.5	0.10	14 Pole Condenser	<62	5.31

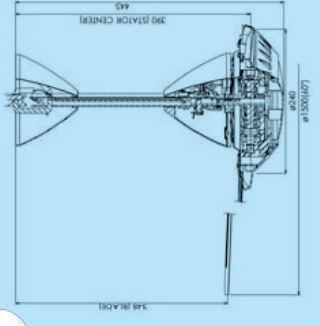
K15W0-S 150cm/60"

Double Hybrid Coating Suitable For Coastal Area

NEW



- Energy saving condenser motor
- Meets C.O.P (Co-Efficient of Performance) requirements
- Treated with **double hybrid coating** treatment for added protection and reliability. It is ideal for coastal areas, where the air is salty and corrosive in long term



Dimension

SPECIFICATIONS

Model	RPM		Air Delivery (m ³ /min)		Motor W		Motor HP	Motor Type	Noise Level (dB)	Nett Weight (kg)
	Low	High	High	Low	Low	High				
K15W0-S	81 ~ 118	216 ~ 284	230	284	14.7 ~ 19.9	67.5 ~ 82.5	0.10	14 Pole Condenser	<62	5.50